

Description

2 wire system power supply unit, to be used in audio systems together with 2 wire speaker modules, or with the universal speaker unit, item 346991, for the installation of systems with up to 100 entrance panels (56 when item 346991 is used), as well as in video or mixed audio/video systems, when using video adapter item 346830, or the audio/video node item F441, or the multichannel matrix F441M. The device is also suitable as a power supply for sound systems. Additionally, it can also be used as supplementary power supply (output 1 – 2) for local supply to advanced preset handsets. It must be powered at 230 Vac. On the output it provides two power supply outlets, which can be used in alternative to each other, but not both at the same time (27Vdc 1.2 A BUS clamps, and 1-2 27Vdc 1.2 A clamps). It is electronically protected (without fuse) from short-circuit and overload.

It is a double insulation safety device in accordance with CEI.

The power supply unit is inside a 8 DIN modules rail enclosure, and its installation must be in accordance with the regulations of the country of use.

The device must not be configured.

Technical data

PRI (Power supply Vac input):

Rated voltage: 220 – 240 Vac

Rated current: 230 – 250 mA

Working voltage range: 207 – 253 Vac

Working frequency range: 50 – 60 Hz

Input power at full load: 44.9 W (max)

Dissipated power: 11.5 W (max)

Input power without load: 4.2 W (max)

Operating temperature: 5 – 40 °C

Protection index: IP30

SEC (Vdc output):

Rated voltage (BUS): 27 Vdc +/- 0,1 Vdc

Rated voltage (1-2): 27 Vdc +/- 0.1 Vdc (1=** - 2=**)

Rated current: 0 – 1.2 A

Rated power: 32.4 W

Standards, Certifications, Marks

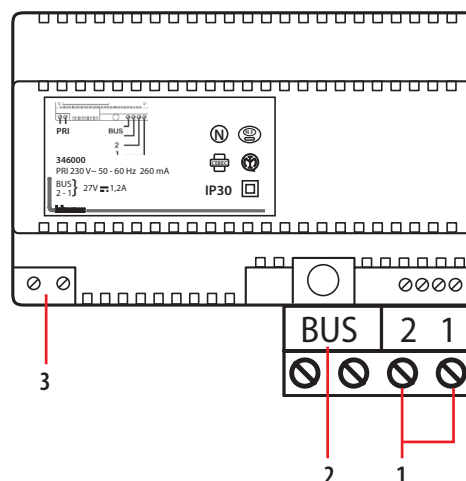
Standards: CEI EN60065 - CEI 64-8-4 (punto 411.1.2.5)

Marks obtained:     

Dimensional data

8 DIN modules

Front view



Legend

1. Output connection clamps 1=GND – 2=+27Vdc
2. SCS/BUS output connection clamps
3. 230 Vac input connection clamps

Assembly, Installation

Comply with the following installation requirements:

- The power supply must always be installed in appropriate enclosures.
- It must be kept away from water drips and sprays.
- Do not to obstruct the air vents.
- A double-pole thermal magnetic circuit breaker with contact separation of at least 3 mm must be used, positioned near the power supply. The circuit breaker is used both to disconnect the power supply from the electric network, and to protect it.